

RZR-CCT-400

3K - 4K - 5K SELECTABLE COLOR TEMPERATURE DOWNLIGHT



NAME:	
TYPE:	
DATE:	
NOTES:	

SPECIFICATIONS

LIGHT UNIT:	Aluminum Die cast with powder paint coat preventing discoloring and rusting.
INSTALLATION:	Ideal for shallow ceiling installations with no housing required. Steel spring clip for easy installation and suitable in t-grid and drop ceiling applications.
WIRING:	Plenum rated cable used to connect light unit and junction box.
JUNCTION BOX:	Aluminum extrusion, with full ½" knockouts on each side and the end of the junction box. Wiring compartment allows for (6) 12 gauge (AWG) or (8) 14 gauge (AWG) insulated conductors. Connection to one (1) downstream unit is permitted within the junction box compartment. The compartment satisfies junction box volume requirements of CSA C22.2 No. 250.0/UL 1598.
OPTICS:	EDGE-lit LED technology uses light guided plate to distribute light. A polycarbonate lens is used to provide even illumination throughout the installation. The regressed design offers an anti-glare feature.
ELECTRICAL & PHASE CONTROL:	Easily connected to a 120V power supply via provided UL recognized driver. Dimming down to 10% with most standard LED dimmers (see list of approved dimmers). Ambient operating temperature: -40°C (-40°F) to +40°C (+104°F). IC, WET Location and AIR-TIGHT rated. Phase Control: Forward Phase. Certifications: This product is ETL listed in USA & Canada, certified to UL standard 1598 and CSA standard C22.2 No. 250.0-08

CUTTING HOLE:	4.25" (108mm)
MOUNTING PLATE:	MP425 / AMP425 / MPHB425-600
BEAM ANGLE:	107°
CRI:	80
LUMEN OUTPUT:	680 lumens
DIMMABLE:	Yes
WATTS:	10 Watts
LED LIFE:	50,000 hours
WARRANTY:	5 years
WIRE CABLE:	FT4 rated
DRIVER (SPECIAL ORDER):	120-277V, 0-10V Dimming

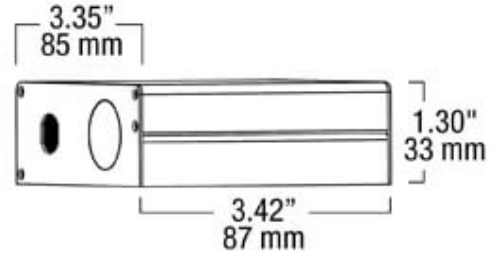
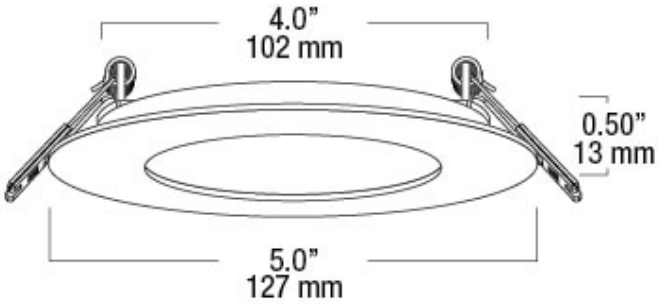
APPLICATIONS

This latest CCT (Correlated Color Temperature) technology is offered in a low-profile design. It features (3) color temperatures 3K, 4K & 5K to select from. The color temperature selector is located on the light unit, which allows for color selection to be made at final install stage. It allows installation in almost any location, even directly under a ceiling joist. Whether it is a Remodel or New Constuction installation, this unit is well suited for indoor / outdoor residential, hospitality, commercial and multifamily applications.

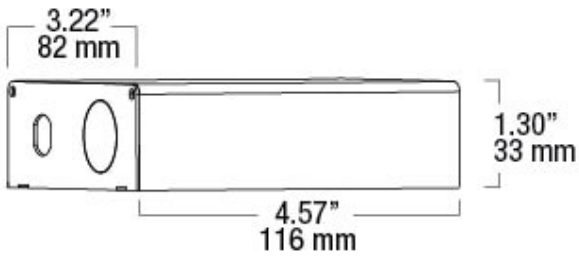
RZR-CCT-400

3K - 4K - 5K SELECTABLE COLOR TEMPERATURE DOWNLIGHT

DIMENSIONS



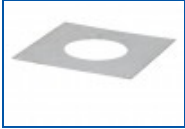
Optional / En option
277V - 9 - 13W



RZR-CCT-400

3K - 4K - 5K SELECTABLE COLOR TEMPERATURE DOWNLIGHT

ACCESSORIES



MOUNTING PLATE

Versatile square mounting plate allows for installation of all models of ndr lighting recessed lighting products. refer to our mounting plate compatibility chart to ensure the proper mounting plate is selected.



RAZOR CABLES

These connecting cables are for use with the ndr lighting razor series. these cables allow for greater flexibility in designing custom layout needs.



REMODEL VAPOUR BARRIER

The remodel vapour barrier unit may be used with all ndr lighting remodel housings. it is designed to prevent air leakage from your living space into the attic, or any insulated spaces.



ADJUSTABLE MOUNTING PLATE

Versatile adjustable mounting plate allows for installation of all models of ndr lighting recessed lighting products. refer to our mounting plate compatibility chart to ensure the proper mounting plate is selected.



VAPOUR BARRIER

This vapour barrier unit may be used with all ndr lighting recessed lighting products. it is designed to prevent air leakage from your living space into the attic, or any insulated spaces.



GOOF RINGS

This goof ring is used when the ceiling hole is wider than the retrofit light unit being installed. refer to our goof ring compatibility chart to ensure the proper goof ring is selected.



UNIVERSAL MOUNTING PLATE WITH ADJUSTABLE HANGER BARS

This multi-size adjustable mounting plate allows for installation of all models of ndr lighting recessed lighting products. refer to our mounting plate compatibility chart to ensure the proper mounting plate is selected.

RATINGS



ORDERING GUIDE

RAZOR 400 CCT SERIES

Series	Color Temperature	Finish
RZR-CCT-400	3000K-4000K-5000K/80CRI/10W	WH White
	3000K-4000K-5000K/80CRI/10W	BLK Black
	3000K-4000K-5000K/80CRI/10W	BRZ Bronze
	3000K-4000K-5000K/80CRI/10W	SC Satin Chrome

Notes: Configure product using **BOLD** options: Ex: **RZR-CCT-400-WH**

RZR-CCT-400

3K - 4K - 5K SELECTABLE COLOR TEMPERATURE DOWNLIGHT

For 120-277V, (0-10v Dim) Application:

Series	Multi-Volt Description	
RZR-277V-9/13W	120-277V Driver	0-10V dimming

Notes: Order Driver Model above: (sold separately)