

RAZOR•R•RGB

Smart RGB + tunable white regressed downlight

RZR-RGB-411

SPECIFICATION SHEET



SPECIFICATIONS



Light Unit

Aluminum Die cast with powder paint coat preventing discoloring and rusting.

Optics

Edge-lit LED technology(400/600 series) and back lit LED design (411/611 series) uses light guided plate to distribute the light output. A polycarbonate lens is used to provide even illumination throughout the installation. The regressed trim (411/611) design offers an anti-glare feature.

Electrical & Phase Control

Easily connected to a 120V power supply via provided UL recognized driver. Dimming down to 10% via the Smart Life app on Android or iOS devices. Light output can also be easily control using voice commands using Google Home, Amazon Alexa, etc devices. Ambient operating temperature: -40°C (-40°F) to +40°C (104°F). IC, WET LOCATION and AIR-TIGHT rated. Certifications: This product is ETL listed in USA & Canada, certified to the UL standard 1598, CSA Standard C22.2 No. 250.0-08 and Title 24/ JA8-2025.

Wiring

Plenum rated cables are used to connect the light unit and the junction box.

Junction Box

Aluminum extrusion junction box with full 1/2" knockouts on each side and end of the wiring space. The wiring compartment allows for (8) 12AWG or (10) 14AWG insulated conductors. Connection to one (1) downstream unit is permitted within the junction box compartment. The compartment satisfies junction box volume requirements of CSA C22.2 No. 250.0/UL 1598.

Installation

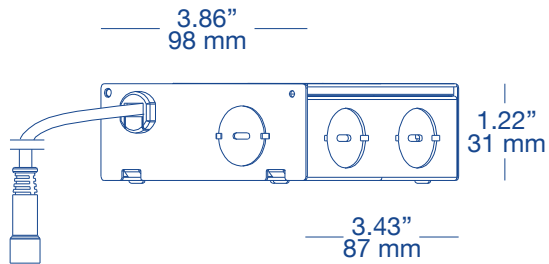
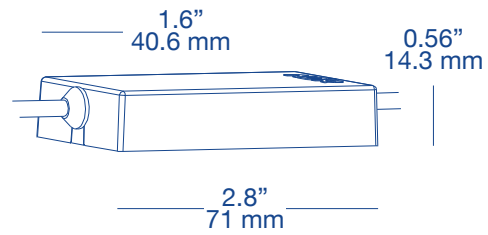
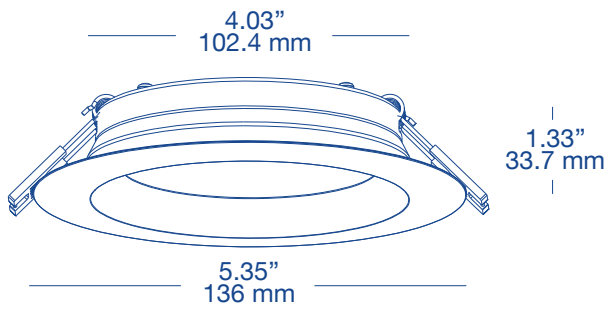
Ideal for shallow ceiling installations with no housing required. Steel spring clip for easy installation and suitable in t-grid and drop ceiling applications.

Lumen output	900 lumens
Beam angle	107°
CRI	90
Wattage	13 watts
Dimmable	Yes
Cutting hole	4.25" (108mm)
Mounting plate	MP425 AMP425-L MPHB425-600
Wire cable	FT4 rated
LED life	50,000 hours
Warranty	5 years

FINISHES



DIMENSIONS



APPLICATIONS

The latest product in the Razor family is the much-anticipated RGB + Tunable white CCT product. This new model features full RGB color tuning + white color tuning ranging from 2700K through 6500K, offering a leading 16 million+ color options. All color output and brightness levels is easily controlled through the SmartLife app - available for download in the Google Play Store and Apple Store. It is IC and AIR-TIGHT rated and allows installation in almost any location, even directly under a ceiling joist. Whether it is a remodel or new construction installation, this unit is well suited for indoor or outdoor residential, hospitality, commercial and multifamily applications.

RATINGS & CERTIFICATIONS



ORDERING GUIDE

Series	Color	CRI	Wattage	Finish
RZR-RGB-411	RGB + tunable white	90	13W	WH White

Note: Configure product using **BOLD** options. Ex.: **RZR-RGB-411-WH**

ACCESSORIES



Mounting plate

Versatile square mounting plate allows for installation of all models of ndr lighting recessed lighting products. Refer to our mounting plate compatibility chart to ensure the proper mounting plate is selected.



Adjustable mounting plate

Versatile adjustable mounting plate allows for installation of all models of NDR Lighting recessed lighting products. Refer to our mounting plate compatibility chart to ensure the proper mounting plate is selected.



Universal mounting plate with adjustable hanger bars

This multi-size adjustable mounting plate allows for installation of all models of NDR Lighting recessed lighting products. Refer to our mounting plate compatibility chart to ensure the proper mounting plate is selected.

ACCESSORIES

**Vapour barrier**

This vapour barrier unit may be used with all NDR Lighting recessed lighting products. It is designed to prevent air leakage from your living space into the attic, or any insulated spaces.

**Remodel vapour barrier**

The remodel vapour barrier unit may be used with all NDR Lighting remodel housings. It is designed to prevent air leakage from your living space into the attic, or any insulated spaces.

**Razor cables**

These connecting cables are for use with the NDR Lighting Razor Series. These cables allow for greater flexibility in designing custom layout needs.

**Goof rings**

This goof ring is used when the ceiling hole is wider than the retrofit light unit being installed. Refer to our goof ring compatibility chart to ensure the proper goof ring is selected.