

ORBIT•W

5CCT Wall Wash & Sloped Ceiling Recessed Downlight

OB460

SPECIFICATION SHEET



SPECIFICATIONS



Light Unit

Aluminum Die cast with powder paint coat preventing discoloring and rusting.

Optics

COB (Chip on Board) LED technology uses light guided reflector to distribute light and optimize high level of delivered lumens. The regressed Gimbal design offers an anti-glare feature.

Electrical & Phase Control

Easily connected to a 120V power supply via provided UL recognized driver. Optional 120-277V, 0-10V dimming driver available. Dimming down to 10% with most standard LED dimmers (see list of approved dimmers). Ambient operating temperature: -40°C (-40°F) to +40°C (+104°F). IC and WET Location rated. Phase Control: Forward Phase. Certifications: This product is ETL listed in USA & Canada, certified to UL standard 1598 and CSA standard C22.2 No. 250.0-08.

Wiring

FT4 rated cable used to connect light unit and junction box.

Junction Box

Galvanneal junction box, with full 1/2" knockouts on each side and the end of the junction box. Wiring compartment maximum of (6) 12 gauge (AWG) or (8) 14 gauge (AWG) insulated conductors. Connection to one (1) downstream unit is permitted within the junction box compartment. The compartment satisfies junction box volume requirements of CSA C22.2 No. 250.0/UL 1598.

Installation

Ideal for ceiling installations with no housing required. Steel spring clip for easy installation. Suitable for installation in t-grid sloped and drop ceiling applications.

Color temperature options	27K/3K/35K/4K/5K
Lumen output	930 lumens
Beam angle	36°
Gimbal angle / head rotation	90° / 360°
CRI	90
Wattage	11 watts
Dimmable	Yes
Cutting hole	4.25" (108mm)
Mounting plates	MP300 / AMP300 / MPHB250-450
Wire cable	FT4
LED life	50,000 hours
Warranty	5 years
Driver (special order)	120V 120-277V, 0-10v Dimming (Model: OB300-400-277VCCT)

FINISHES

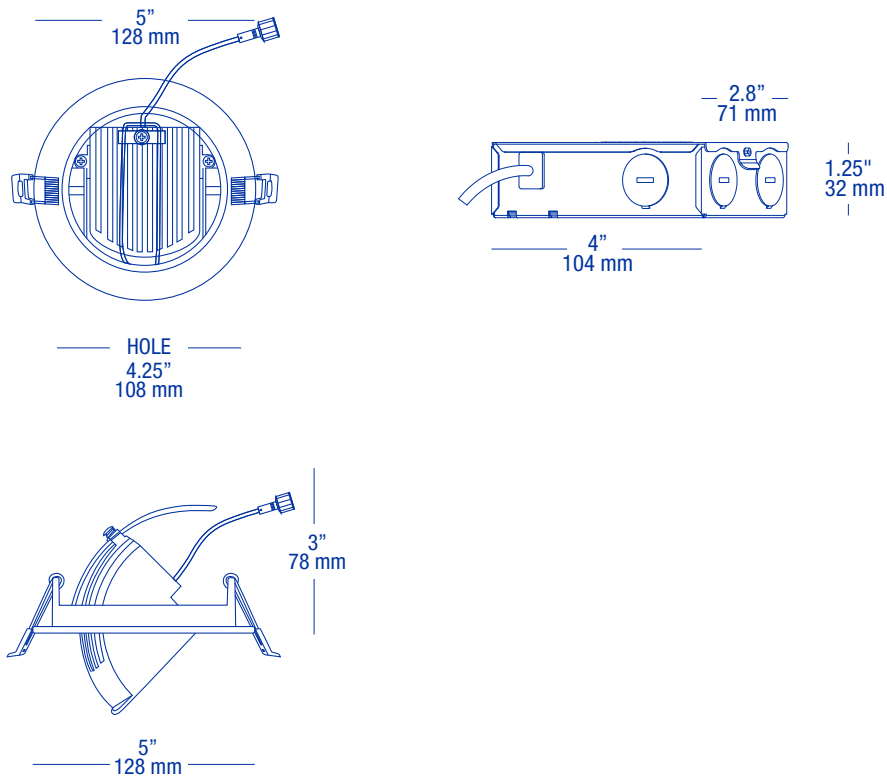


White



Black

DIMENSIONS



APPLICATIONS

The ORBIT series offers a high-performance LED (COB) recessed downlight with pressure-fit spring clip application for an easy install. The OB460's 360° rotation capability and 0-90° drop-down gimbal allows for limitless flexibility in a Remodel or New Construction installation and is designed for downwards lighting on a sloped ceiling or for a wall-wash effect. This unit is well suited for indoor / outdoor residential, hospitality, commercial and multifamily applications and does not require a recessed housing for installation.

RATINGS & CERTIFICATIONS



Dimmable



Wet locations rated



IC rated

ORDERING GUIDE

Series	Color Temperature	CRI	Wattage	Finish
OB460	2700K/3000K/3500K/4000K/5000K	90+	11W	WH White
	2700K/3000K/3500K/4000K/5000K	90+	11W	BK Black

Note: Configure product using **BOLD** options. Ex.: **OB460-WH**.

ACCESSORIES



Mounting plate

Versatile square mounting plate allows for installation of all models of ndr lighting recessed lighting products. Refer to our mounting plate compatibility chart to ensure the proper mounting plate is selected.



Adjustable mounting plate

Versatile adjustable mounting plate allows for installation of all models of NDR Lighting recessed lighting products. Refer to our mounting plate compatibility chart to ensure the proper mounting plate is selected.



Universal mounting plate with adjustable hanger bars

This multi-size adjustable mounting plate allows for installation of all models of NDR Lighting recessed lighting products. Refer to our mounting plate compatibility chart to ensure the proper mounting plate is selected.



Connecting Cable Extensions

The 3-pin connecting cables are designed to provide extension lengths between the driver and the light unit. They are UL certified and rated as FT4 / CMR for use in ceiling space and vertical shafts. Sold in 24 inch or 20 foot lengths, they can be combined for a maximum total extension of up to 100 feet.



Remodel vapour barrier

The remodel vapour barrier unit may be used with all NDR Lighting remodel housings. it is designed to prevent air leakage from your living space into the attic, or any insulated spaces.

ACCESSORIES



Goof rings

This goof ring is used when the ceiling hole is wider than the retrofit light unit being installed. Refer to our goof ring compatibility chart to ensure the proper goof ring is selected.