

FLOODLIGHT

Premium High-Performance LED Floodlight

FLP-35W

SPECIFICATION SHEET



SPECIFICATIONS



Housing details

Diecast aluminum, corrosion-resistant housing with dark-bronze powder paint for lasting durability.
 Fixture is fully sealed to keep out moisture and dirt (IP66).
 Adjustable Beam Angle (5x5, 6x6, 7x6).
 Adjustable PhotoCell (ON/OFF)
 Adjustable Wattage (20W, 25W, 30W, 35W)
 3CCT Selectable (3K,4K,5K)

Installation

Hardware included
 Adjustable knuckle and adjustable beam angle allow for precise light aiming.
 Wet location listed (IP66) for outdoor installations.
 Can be mounted to a junction box or on a wall.

Electrical

Easily connected to a 120-277V power supply. 0-10V dimmable.
 Selectable Color Temperature (3000K, 4000K, 5000K)
 Rated for outdoor installations, -20°C (4°F) minimum starting ambient temperature.
Listings: This product is UL/cUL listed to U.S. and Canadian safety standards for wet locations.
 DLC Premium Listed

Mounting Options

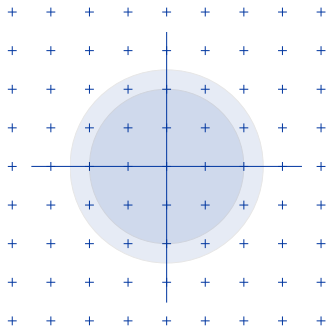
Easily mounted to a junction box using the already-installed Knuckle Mount or to a wall using the provided Yoke mount.

Selectable color temperature	3K / 4K / 5K
Lumen output	3000 lumens 3750 lumens 4500 lumens 5250 lumens
Wattage	20W 25W 30W 35W
Voltage	120 – 277V
CRI	80
IP rating	IP66
Beam Angle Selectability	NEMA 5x5, 6x6, 7x6
Photocell	ON / OFF
LED life	50,000 hours
Warranty	5 years

FINISHES

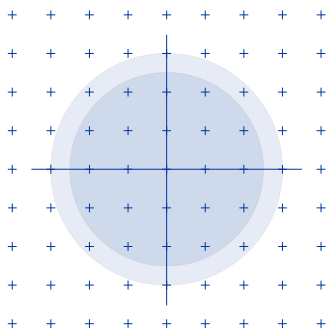


BEAM ANGLE OPTIONS



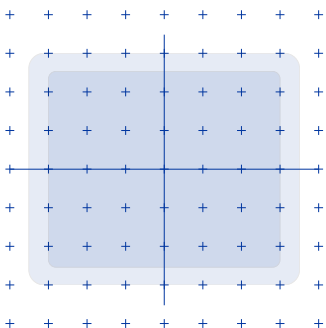
NEMA 5x5

A medium-sized, evenly distributed beam of light ideal for facades, under canopies, signage, walkways and general landscape applications.



NEMA 6x6

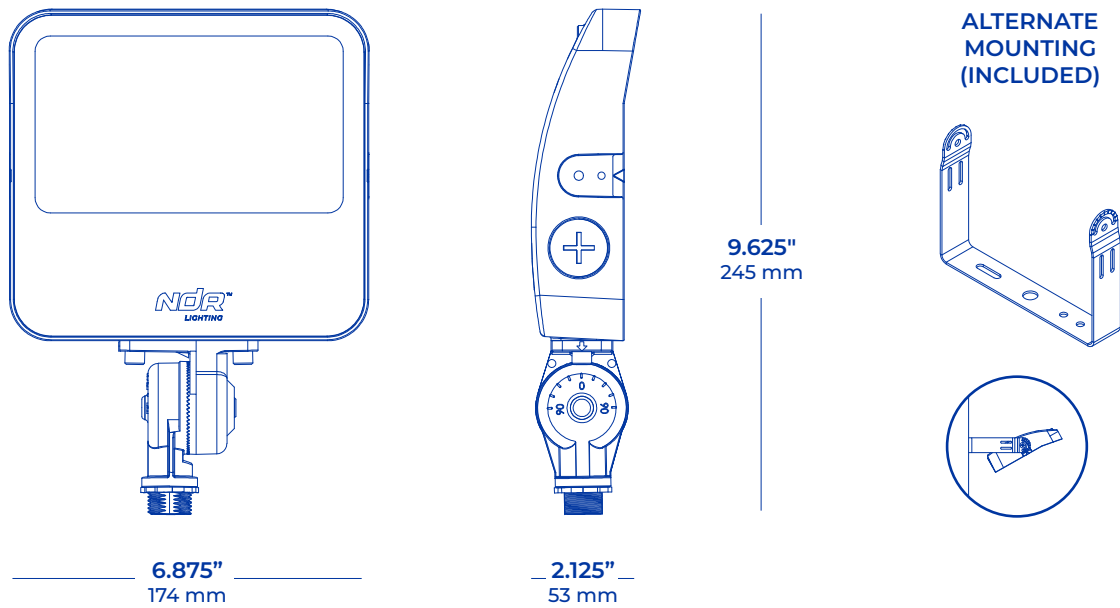
A wide, evenly distributed beam of light ideal for applications with a shorter setback. Large facades, signage, recreational sports park, parking lots, and commercial applications for general area lighting applications.



NEMA 7x6

A very wide horizontal coverage beam of light ideal for large parking lots, large yards/staging areas, perimeter and security lighting ideal for maximum light spread. Excellent for spacing fixtures further apart and wider coverage without hot spots directly under a pole mount.

DIMENSIONS



APPLICATIONS

Our Premium LED Floodlight Series offers security and general lighting for outdoor residential and commercial applications. Their industry-leading electronic adjustable beam angle, powerful lumen output, 4 selectable wattage options, 3CCT selectable color temperature, and a night & day photocell option with an ON/OFF switch proves ideal for building facades, driveways, walkways, lots, and loading areas.

RATINGS & CERTIFICATIONS



ORDERING GUIDE

Series	Color temperature	CRI	Wattage	Finish
FLP-35W	3CCT 3000K / 4000K / 5000K	80	35W	DB Dark Bronze

Note: Configure product using **BOLD** options: Ex: **FLP-35W**