

# TRIAD 5CCT

LED Flexdrive Technology Recessed Downlight

## TBX-CCT-414

SPECIFICATION SHEET



### SPECIFICATIONS



#### Wiring

24" BX cable, which is installed in a junction box.  
 An installation cable is also included, which offers a "no worries" method of wiring the luminaire while not having to hold the unit.

#### Housing details

Aluminum construction with powder coat paint to prevent discoloring and rusting.

#### Optics

Integrated LED technology uses light guided reflector to distribute light and optimize high level of delivered lumens.

#### Electrical

Easily connected to a 120V or 277V power supply via provided UL recognized driver.

Standard 120-277V, 0-10V dimming driver.

Dimming down to 10% with most standard LED dimmers (see list of approved dimmers).

**Ambient operating temperature:** -40°C (-40°F) to +40°C (+104°F).

IC, WET location and Air-Tight rated.

AirTight ASTM E283 rated.

**Certifications:** This product is UL listed in USA & Canada, certified to UL standard 1598 and CSA standard C22.2 No. 250.0-08

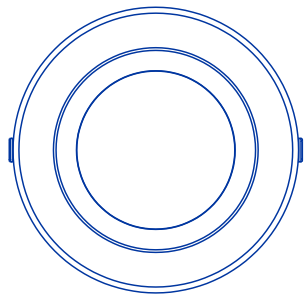
Selectable color temperature	<b>27K/3K/35K/4K/5K</b>
Operating temperature	<b>-40 ° F / 104 ° F</b> (-40 ° C / 40 ° C)
Lumen output	<b>595 / 850 / 1100 lumens selectable</b>
Dimmable	<b>Yes</b>
Wattage	<b>Selectable 7W / 10W / 13W</b>
Led life	<b>50,000 hours</b>
Warranty	<b>5 years</b>
Voltage	<b>120-277V</b>
Integrated motion sensor	<b>No</b>

## FINISHES

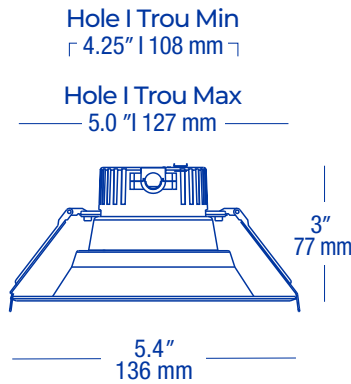


White

## DIMENSIONS



5.4"  
136 mm



## APPLICATIONS

The Triad Series is a versatile lighting product offering the option of varied color temperature, wattage, and lumen output level, in ONE single unit. Whether it is a remodel or new construction installation, this unit is well suited for indoor or outdoor in various commercial applications. These may include property management, healthcare, retail, office, hospitality and many more.

## RATINGS & CERTIFICATIONS



ORDERING GUIDE

Series	Wattage	Color temperature	CRI	Finish
<b>TBX-CCT-414</b>	<b>LOW - 7W</b>	CCT 2700K/3000K/3500K/4000K/5000K	90	<b>WH</b> White
<b>TBX-CCT-414</b>	<b>MED - 10W</b>	CCT 2700K/3000K/3500K/4000K/5000K	90	<b>WH</b> White
<b>TBX-CCT-414</b>	<b>HIGH - 13W</b>	CCT 2700K/3000K/3500K/4000K/5000K	90	<b>WH</b> White

Note: Configure product using **BOLD** options. Ex.: **TBX-CCT-414-WH**

ACCESSORIES



**Adjustable mounting plate**

Versatile adjustable mounting plate allows for installation of all models of NDR Lighting recessed lighting products. Refer to our mounting plate compatibility chart to ensure the proper mounting plate is selected.



**Universal mounting plate with adjustable hanger bars**

This multi-size adjustable mounting plate allows for installation of all models of NDR Lighting recessed lighting products. Refer to our mounting plate compatibility chart to ensure the proper mounting plate is selected.



**Goof rings**

This goof ring is used when the ceiling hole is wider than the retrofit light unit being installed. refer to our goof ring compatibility chart to ensure the proper goof ring is selected.