



WHITE

BLACK

SATIN
CHROME

OB-LED-430

4" HIGH PERFORMANCE ORBIT SERIES - 10W

Product codes

OB430-0510-4K-BK : BLACK - 4K

OB430-0510-4K-WH : WHITE - 4K

OB430-0510-3K-SC : SATIN CHROME - 3K

OB430-0510-3K-BK : BLACK - 3K

OB430-0510-3K-WH : WHITE - 3K

OB430-0510-4K-SC : SATIN CHROME - 4K

OB430-0510-3K-WH-CRI93 : WHITE - 3K (CRI 90)

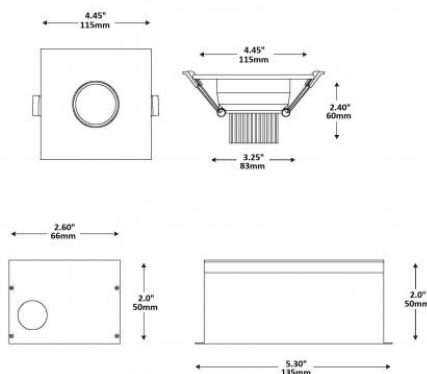
OB430-0510-4K-WH-CRI9 : WHITE - 4K (CRI90)

High performance LED recessed downlight with a pressure-fit spring clips application for an easy install. Integrated COB technology offers low-energy, long lasting performance with outstanding light outputs of 850 LUMENS. Available in a CRI 80 or CRI 90 version.

Suitable for residential applications, this regressed LED light source offers an anti-glare lighting. A 36 degree focused beam angle with a 360 degree rotation will answer many lighting applications.

The body is constructed of die cast aluminum, with junction box manufactured in aluminum extrusion. For easy and quick installation, the unit comes with pressure-fit spring clips and quick connect wire connectors. Dimmable driver included.

An optional 120-277V, 0-10V dimmable driver available



Données techniques

Cutting hole	3.75" (95.3 mm)
Beam Angle	36° ± 1/2
Adjustment angle	27° ± 1/2
Head Rotation	360° ± 1/2
Color Temperature	3000K / 4000K
Mounting Plate	MP300/AMP300/MPHB-350
CRI	>80 or 90
Dimmable	Y
Bulb Life	50,000hrs
Light Output - Lumen	850LM - CRI 80
Light Output - Lumen	700LM - CRI 90
Operating Temperature	0°C - 40°C