
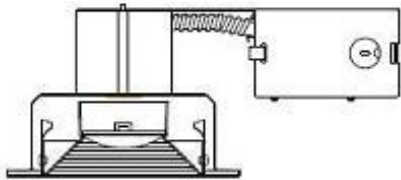
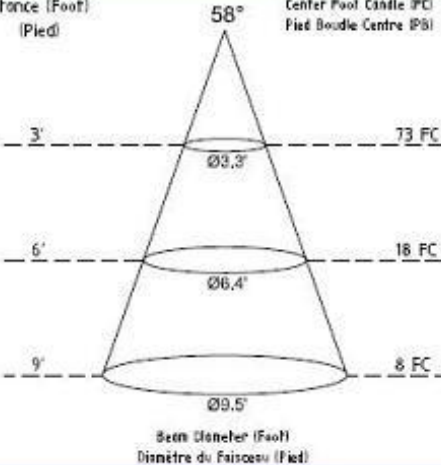

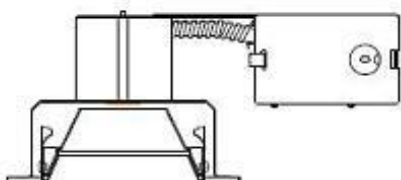
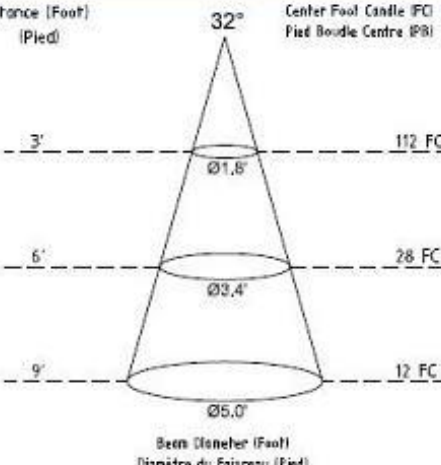

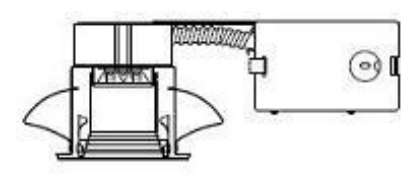
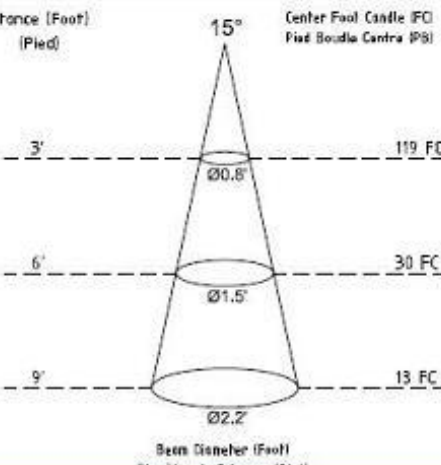


# LED Photometry --- Photométrie DEL

Lamp Ampoule	Watts	Beam Spread Ouverture du faisceau	Rated Life Durée de vie	Lumens	CBCP*	Lighting Level (FC)* Niveau d'éclairage (PB)*
 COB LED chip  <b>R425-L35 + TR1785</b>	10 w	Flood (58°)	40000h	540	660	 <p>Distance (Foot) (Pied)</p> <p>58° Center Foot Candle (FC) Pied Boule Centre (PB)</p> <p>3' 73 FC Ø3.3'</p> <p>6' 18 FC Ø6.4'</p> <p>9' 8 FC Ø9.5'</p> <p>Beam Diameter (Foot) Diamètre du Faisceau (Pied)</p>
 COB LED chip  <b>R425-L35 + TR1790</b>	10 w	Flood (32°)	40000h	520	1020	 <p>Distance (Foot) (Pied)</p> <p>32° Center Foot Candle (FC) Pied Boule Centre (PB)</p> <p>3' 112 FC Ø1.8'</p> <p>6' 28 FC Ø3.4'</p> <p>9' 12 FC Ø5.0'</p> <p>Beam Diameter (Foot) Diamètre du Faisceau (Pied)</p>
 High Power LEDs  <b>R300-L35 + TR1485</b>	6 w	Spot EXT (15°)	40000h	270	1070	 <p>Distance (Foot) (Pied)</p> <p>15° Center Foot Candle (FC) Pied Boule Centre (PB)</p> <p>3' 119 FC Ø0.8'</p> <p>6' 30 FC Ø1.5'</p> <p>9' 13 FC Ø2.2'</p> <p>Beam Diameter (Foot) Diamètre du Faisceau (Pied)</p>