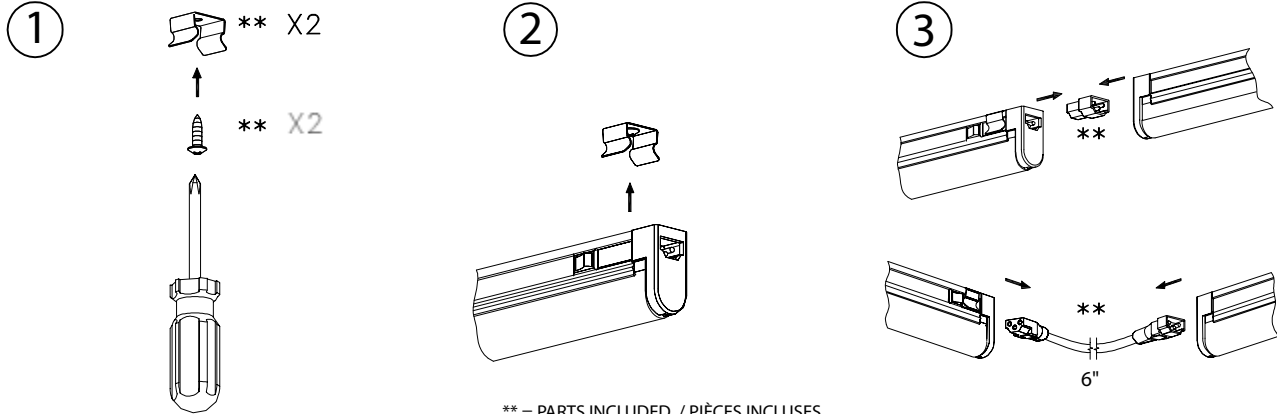


SELECT A SUITABLE LOCATION FOR INSTALLATION BY KEEPING IN MIND THAT A POWER CORD WITH PLUG MUST REACH THE NEAREST ELECTRICAL OUTLET .DO NOT INSTALL THE FIXTURE WHILE IT IS PLUGGED INTO AN ELECTRICAL OUTLET. FOR INDOOR INSTALLATION ONLY.

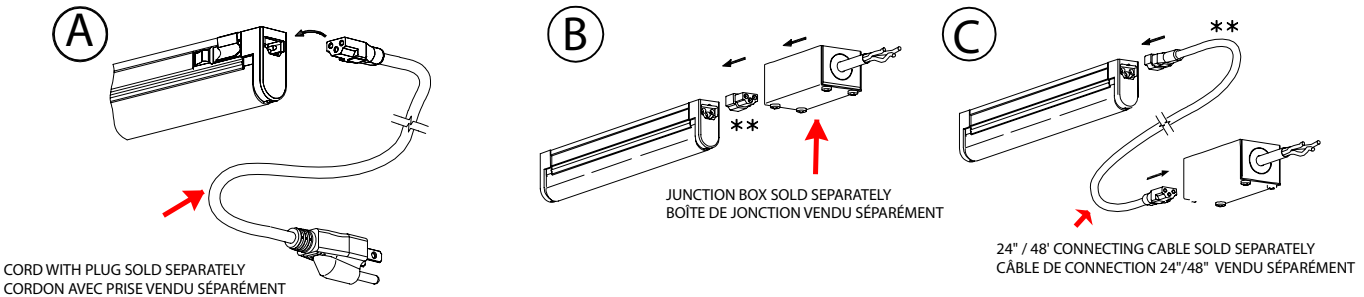
Model # : UNTS / UNTL

FIXTURE INSTALLATION / INSTALLATION DU LUMINAIRE



** = PARTS INCLUDED / PIÈCES INCLUSES

POWER CONNECTION / BRANCHEMENT ÉLECTRIQUE



CORD WITH PLUG SOLD SEPARATELY
CORDON AVEC PRISE VENDU SÉPARÈMENT

24" / 48" CONNECTING CABLE SOLD SEPARATELY
CÂBLE DE CONNECTION 24"/48" VENDU SÉPARÈMENT

⚠ Caution

- 1- BEFORE STARTING INSTALLATION PLEASE MAKE SURE POWER IS OFF
AVANT DE DÉBUTER L'INSTALLATION VEUILLEZ VOUS ASSURER QUE L'ÉLECTRICITÉ EST COUPÉ
- 2-THE CHOSEN MOUNTING SURFACE SHOULD BE FLAT.
L'ENDROIT CHOISI POUR L'INSTALLER DOIT ÊTRE PLAT.
- 3-NOT INTENDED FOR INSTALLATION IN AN AQUARIUM
NE PEUT ÊTRE INSTALLATION DANS UN AQUARIUM
- 4- DO NOT INSTALL THE FIXTURE WHILE IT IS PLUGGED INTO AN ELECTRICAL OUTLET.
NE PAS INSTALLER SI L'UNITÉ EST BRANCHÉ DANS UNE PRISE DE COURANT.

FIXTURE INSTALLATION INSTALLATION DU LUMINAIRE

- 1 -INSTALL THE 2 MOUNTING SPRING CLIPS ON THE INSTALLATION SURFACE
-VISSER LES 2 RESSORTS DE FIXATION SUR LA SURFACE D'INSTALLATION
- 2 -SNAP THE UNIT INTO MOUNTING CLIPS
-INSTALLER LA FIXTURE DANS LES RESSORTS DE FIXATION
- 3 -OPTIONNALLY, UNITS CAN BE INSTALLED END TO END USING JOINER ACCESSORIES
-IL EST POSSIBLE D'INSTALLER PLUSIEURS UNITÉ EN CONTINUE EN UTILISANT LE CONNECTEUR OU LE CÂBLE DE CONNECTION.

POWER CONNECTION BRANCHEMENT ÉLECTRIQUE

UNIT MAY BE INSTALLED IN VARIOUS OPTIONS
UNITÉ PEUT-ÊTRE INSTALLÉ EN DIVERS OPTIONS

- A- CONNECT FIXTURE WITH POWER CORD (NOT INCLUDED) SEE DIAGRAM (A)
-BRANCHER LE LUMINAIRE DANS LA PRISE EN UTILISANT LE CÂBLE D'ALIMENTATION (NON INCLUS)
- B- CONNECT FIXTURE TO JUNCTION BOX (NOT INCLUDED) WITH JOINER OR CONNECTING CABLE 6"SEE DIAGRAM (B)
- BRANCHER LE LUMINAIRE À LA BOÎTE DE JONCTION EN UTILISANT LE CONNECTEUR OU LE CÂBLE DE CONNECTION VOIR DIAGRAMME(B)
- C - ALSO AVAILABLE 24" OR 48" CONNECTING CABLES
- AUSSI DISPONIBLE CÂBLE DE CONNECTION 24" OU 48"

WARRANTY

The warranty applies to the product from the original date of purchase for one (1) year against manufacturing defects. Therefore, the owner must provide a copy of the original dated proof of purchase. The bulbs provided are not covered by this warranty. Manufacturer's obligation under this warranty is limited to the cost of the components. It is not related in any way to the cost of the connection, the installation of the replacement parts and cost of transport. For all claims, please contact our customer services dept.
T: 1-800-776-7891 or email us at info@ndrelectric.com



174405